



**CASE**  
CONSTRUCTION

# D-SERIES MINI EXCAVATORS



CX12D | CX14D | CX15EV | CX17D | CX18D | CX19D | CX20D | CX22D | CX25D | CX25EV  
CX28D | CX35D | CX37D | CX42D | CX45D | CX50D | CX55D | CX58D | CX60D | CX65D

# NEW CASE D-SERIES MINI EXCAVATORS

## THE FAMILY GROWS

The new CASE D-Series mini excavators bring an **extraordinary range of 20 models\*** from 1 to 6 **tons** which covers the most important segments in the European market.

This extensive line-up stands out for its versatility which makes it capable of offering a tailor-made solution to every customer need - from offering the right size for every work and job-sites to its vast range of attachments.

Users can fully customize their machine according to the specific application's requirements with options ranging from basic configurations to premium models bristling with useful features.

\* CX37D under development. More details coming soon.



# PRODUCTIVITY

## MINI EXCAVATORS



### COMPACT AND AGILE, AT HOME ON ALL JOBSITES

- + **Zero tail-swing versions** available across the full range deliver **supreme maneuverability**. **2-piece boom** offering, enables operators to work higher and further than equivalent standard boom, digging deeper and closer to the machine - ideal when in tight spaces.
- + A **hydraulically extendable undercarriage** available on models up to the CX22D ensures excellent maneuverability and stability.
- + A **dozer blade** with foldable extension is available as standard on models featuring the extendable undercarriage.
- + **Excellent boom swing angles and digging/operating reach** make working in confined spaces easy.

# PRODUCTIVITY

## MINI EXCAVATORS



### POWERFUL, EFFICIENT PERFORMANCE

- + The D-Series stands out for its **industry-leading offering with 2-piece boom** across the range, delivering all the digging and operating reach advantages of this design on 4 models between 2-ton and 6-ton
- + The machine's **outstanding stability and hydraulic power** enables a superior lifting capacity and digging performance
- + D-Series excavators deliver **best-in-class engine power and torque** together with **optimal fuel usage**.



# COMFORT

## MINI EXCAVATORS

### COMFORT COMES FIRST

The D-Series is one of the rare mini excavator ranges in the market offering the **comfort of the cab version on smaller models** with this choice being available from the CX17D upwards.

Additional safety and operator comfort features include:

- + Front and top level 2 protection grids
- + Outstanding all-around visibility
- + Excellent ergonomic layout of the controls

**Maintenance** has never been as easy, with the **fully tiltable cabs, canopies and rollbars on all models**.

Customers' experience is further enhanced by **CASE SiteConnect and SiteWatch** telematics and connectivity-enabled after-sales services, available on all models.

### ALL THE FLEXIBILITY TO MATCH EVERY CUSTOMER NEED

The configuration of the CASE D-Series mini excavators is fully customizable, with specifications ranging from basic to premium, and can be tailored to meet the requirements of every customer and the different types of applications.

The machines can mount a vast range of **attachments** - from buckets to breakers, from grapple to mulchers - resulting in **standout versatility**.

The D-Series offers sustainable solutions that meet the increasingly stringent environmental requirements:

- + All models are compatible with **bio hydraulic oil, engine oil and lubricants**
- + The range offers **2 fully electric models**, the CX15EV and CX25EV, which generate zero emissions with no compromise on performance compared to the equivalent diesel models - all this with the autonomy you need for your operation and very fast recharging time.



# AFTERSALES PRODUCTS AND SERVICES

## AFTERSALES PRODUCTS

Keep your equipment performing at its best and protect your investment's value with the extensive offering of high-quality CASE Parts.

### Genuine Parts HIGH PERFORMANCE

Optimize your performance and add value to your machine with high-quality genuine parts.

### FLEETPRO

Ensure your machine's performance beyond warranty and manage your budget with CASE's quality second-line range of parts.

### Attachments. BUSINESS SOLUTIONS

Add versatility to performance with CASE attachments designed for CASE machines and tested by CASE engineers.

### Reman Parts REMANUFACTURED

Choose sustainable quality with remanufactured parts designed for CASE equipment of all ages.

## SERVICE SOLUTIONS

Enjoy the peace of mind of knowing CASE Service Solutions will keep your equipment in top condition with maximum uptime, no unexpected costs, and help you optimize your profitability.



# STANDARD AND OPTIONS

	CX12D	CX14D	CX15EV	CX17D	CX18D	CX19D	CX20D
<b>CAB / CANOPY / ROLL-BAR</b>							
Tilttable Cab/Canopy (ROPS/TOPS - FOPS Level 1)	-	-	-	●	●	●	●
Tilttable Roll-bar (ROPS/TOPS)	●	●	●	-	-	-	-
Roll-bar plastic cover (FOPS Level 1)	○	○	○	-	-	-	-
Heating	-	-	-	●	●	●	●
Automatic Courtesy light	-	-	-	●	●	●	●
DAB Radio, Bluetooth, USB, Memory card SD/SDHC, Aux-in (cab only)	-	-	-	○	○	○	○
Anti-Theft	○	○	-	○	○	○	○
Electric plug on the roof for Rotating Beacon	-	-	-	●	●	●	●
Windshield washer	-	-	-	●	●	●	●
Rear-view mirrors (left, right)	-	-	-	●	●	●	●
Fabric seat with Mechanical suspension (cab)	-	-	-	●	●	●	●
Vynil seat with Mechanical suspension (canopy)	●	●	●	○	○	○	○
Travel alarm	○	○	○	○	○	○	○
Front Protection grid (Level 2)	-	-	-	■	■	■	■
Ignition key, which opens every machine lock	●	●	●	●	●	●	●
Standard LED working lights	●	●	●	●	●	●	●
Extra LED working lights	○	○	○	○	○	○	○
Rotating beacon	○	○	○	○	○	○	○
<b>ARM / BOOM / COUNTERWEIGHT / BLADE</b>							
Standard arm	●	●	●	●	●	●	●
Long arm	○	○	○	○	○	○	○
2-Piece-Boom	-	-	-	-	-	-	-
Boom Lift cylinder and dozer blade cylinder protection	●	●	●	●	●	●	●
Arm cylinder and bucket cylinder protection	■	■	■	■	■	■	■
Standard counterweight	○	-	-	●	●	●	-
Additional counterweight	○	●	-	○	○	○	○
Block valves on dozer blade cylinder	-	-	-	○	○	○	○
Block valves on 2 piece boom positioner cylinders	-	-	-	-	-	-	●
Object handling kit (block valves on boom and arm, lifting hook and load chart)	-	-	-	○	○	○	○
Standard Dozer Blade	●	●	●	●	●	●	●
<b>CONTROLS</b>							
Servo-assisted hydraulic joysticks with Electro-Hydraulic proportional controls	●	●	-	-	-	●	●
Electro-Hydraulic proportional Swing control	●	●	-	-	-	●	●
Electro-Hydraulic joysticks	-	-	●	-	-	-	-
Pedal Swing control	-	-	-	●	●	-	-
Electro-Hydraulic proportional 2-Piece-Boom control	-	-	-	-	-	-	●
1 <sup>st</sup> Auxiliary (AUX1) circuit with Electro-Hydraulic proportional control	●	●	●	●	●	●	●
1 <sup>st</sup> Auxiliary (AUX1) circuit with Pedal control	-	-	-	●	●	-	-
AUX1 circuit maximum flow mechanical setting	-	-	-	●	●	●	●
2 <sup>nd</sup> Auxiliary (AUX2) circuit with Electro-Hydraulic proportional control	○	○	○	-	-	○	○
2 <sup>nd</sup> Auxiliary (AUX2) circuit with Pedal control	-	-	-	○	○	-	-
Grapple provision (AUX3 with flow diverter from bucket cylinder)	-	-	-	○	○	○	○
Direct Drainage to tank	-	-	-	○	○	○	○
Mechanical diverter between Single effect and Double effect AUX1	●	●	-	●	●	●	●
2 speed travel with Automatic Shift Down (from 2 <sup>nd</sup> to 1 <sup>st</sup> gear if more traction is required) and Shift-up	●	●	●	●	●	●	●
<b>UNDERCARRIAGE</b>							
Rubber tracks	●	●	●	●	●	●	●
Extendable undercarriage	●	●	●	●	●	●	●
<b>MISCELLANEOUS</b>							
Operator manual	●	●	●	●	●	●	●
Battery disconnect switch	●	●	●	●	●	●	●
Case Sitewatch and Site Connect	○	○	○	○	○	○	○
<b>HYDRAULICS</b>							
Gear Pump	●	-	●	-	-	-	-
Variable Volume Pump	-	●	-	●	●	●	●
Standard Hydraulic oil and Lubricants	●	●	-	●	●	●	●
Bio Hydraulic oil and Lubricants	○	○	●	○	○	○	○
<b>ATTACHMENTS / PROVISIONS</b>							
High Flow provision (i.e. for Mulcher)	-	-	-	-	-	○	○
Hydraulic quick coupler provision (Single or Double Effect)	-	-	-	-	○	○	○
Mechanical and Hydraulic quick couplers	○■	○■	○■	○■	○■	○■	○■
Buckets	○■	○■	○■	○■	○■	○■	○■
Vast variety of attachments	■	■	■	■	■	■	■
<b>ELECTRICAL MODEL SPECIFIC</b>							
Electronic Display and controls	-	-	●	-	-	-	-
3 pre-set Engine operative modes	-	-	●	-	-	-	-
3 pre-set Hydraulic settings and 1 individual to customize every movement and auxiliary circuit	-	-	●	-	-	-	-
Helical Gear Pump	-	-	●	-	-	-	-
On-board battery charger (220 VAC)	-	-	●	-	-	-	-
Portable Fast-Charger (380 VAC)	-	-	○	-	-	-	-

# STANDARD AND OPTIONS

	CX22D	CX25EV	CX25D	CX28D	CX35D
<b>CAB / CANOPY / ROLL-BAR</b>					
Tiltable Cab/Canopy (ROPS/TOPS - FOPS Level 1)	●	●	●	●	●
Air conditioning and Heating	○	-	-	○	○
Heating	-	●	●	-	-
Automatic Courtesy light	-	-	-	●	●
DAB Radio, Bluetooth, USB, Memory card SD/SDHC, Aux-in (cab only)	○	○	○	○	○
Anti-Theft	○	-	○	○	○
Electric socket on the roof for Rotating Beacon	-	-	-	●	●
Windshield washer	●	●	●	●	●
Rear-view mirrors (left, right)	●	●	●	●	●
Fabric seat with Mechanical suspension (cab)	●	●	●	●	●
Fabric seat with Pneumatic suspension (cab)	-	-	-	○	○
Vynil seat with Mechanical suspension (canopy)	●	●	●	●	●
Travel alarm	○	●	○	○	○
Superior Protection grid (FOPS Level 2)	■	■	■	■	■
Front Protection grid (Level 2)	■	■	■	■	■
Ignition key, which opens every machine lock	●	●	●	●	●
Standard LED working lights	●	●	●	●	●
Extra LED working lights	○	○	○	○	○
Rotating beacon	○	○	○	○	○
<b>ARM / BOOM / COUNTERWEIGHT / BLADE</b>					
Standard arm	●	●	●	●	●
Long arm	○	○	○	○	○
Boom Lift cylinder and dozer blade cylinder protection	●	●	●	●	●
Arm cylinder and bucket cylinder protection	■	■	■	■	■
Standard counterweight	●	●	●	●	●
Additional counterweight	-	-	○	○	○
Standard Dozer Blade	●	●	●	●	●
Dozer Float	○	-	○	○	○
Block valves on dozer blade cylinder	○	○	○	○	○
Object handling kit (block valves on boom and arm, lifting hook and load chart)	○	○	○	○	○
<b>ENGINE COMPARTMENT</b>					
Air Filter with drain valve and electric anti-clogging indicator	-	-	-	●	●
Electric fuel refill pump	-	-	-	○	○
<b>CONTROLS</b>					
Servo-assisted hydraulic joysticks with Electro-Hydraulic proportional controls	●	-	●	●	●
Electro-Hydraulic proportional Swing control	●	-	●	●	●
Electro-Hydraulic joysticks	-	●	-	-	-
1 <sup>st</sup> Auxiliary (AUX1) circuit with Electro-Hydraulic proportional control	●	●	●	●	●
AUX1 circuit maximum flow mechanical setting	●	-	●	●	●
2 <sup>nd</sup> Auxiliary (AUX2) circuit with Electro-Hydraulic proportional control	○	○	○	○	○
3 <sup>rd</sup> Auxiliary (AUX3) circuit with Electro-Hydraulic proportional control	-	-	-	○	○
Grapple provision (AUX3 with flow diverter from bucket cylinder)	○	○	○	○	○
Direct Drainage to tank	○	○	○	○	○
Mechanical diverter between Single effect and Double effect AUX1	●	●	●	●	●
2 speed travel with Automatic Shift Down (from 2 <sup>nd</sup> to 1st gear if more traction is required) and Shift-up	●	●	●	●	●
<b>UNDERCARRIAGE</b>					
Rubber tracks	●	●	●	●	●
Steel tracks	-	-	-	○	○
Rubber pads for steel tracks	-	-	-	■	■
Extendable undercarriage	●	●	●	-	-
<b>MISCELLANEOUS</b>					
Operator manual	●	●	●	●	●
Battery disconnect switch	●	●	●	●	●
CASE Sitewatch e SiteConnect	●	●	●	●	●
<b>HYDRAULICS</b>					
Variable Volume Pump	●	●	●	●	●
Standard Hydraulic oil and Lubricants	●	-	●	●	●
Bio Hydraulic oil and Lubricants	○	●	○	○	○
Automatic Centralized Lubrication	-	-	○	○	○
<b>ATTACHMENTS / PROVISIONS</b>					
High Flow provision (i.e. for Mulcher)	○	-	○	○	○
Hydraulic quick coupler provision (Single or Double Effect)	○	-	○	○	○
Mechanical and Hydraulic quick couplers	○■	○■	○■	○■	○■
Buckets	○■	○■	○■	○■	○■
Vast variety of attachments	■	■	■	■	■



	CX42D	CX45D	CX50D	CX55D	CX58D	CX60D	CX65D
<b>CAB / CANOPY / ROLL-BAR</b>							
Tiltable Cab (ROPS/TOPS - FOPS Level 1)	●	●	●	●	●	●	●
Automatic Air Conditioning and Heating	○	○	○	○	●	●	●
Automatic Courtesy light	●	●	●	●	●	●	●
DAB Radio, Bluetooth, USB, Memory card SD/SDHC, Aux-in	○	○	○	○	●	●	●
Anti-Theft	○	○	○	○	○	○	○
Electric socket on the roof for Rotating Beacon	●	●	●	●	●	●	●
Windshield washer	●	●	●	●	●	●	●
Rear-view mirrors	●	●	●	●	●	●	●
Fabric seat with Premium Mechanical suspension	●	●	●	●	●	●	●
Fabric seat with Pneumatic suspension	○	○	○	○	○	○	○
Fabric seat with Pneumatic suspension and Heating	○	○	○	○	○	○	○
Rear view camera	○	○	○	○	○	○	○
Travel alarm	○	○	○	○	○	○	○
Superior Protection grid (FOPS Level 2)	■	■	■	■	■	■	■
Front Protection grid (Level 2)	■	■	■	■	■	■	■
Digital cluster with AUX1, AUX2 and AUX3 flow settings	●	●	●	●	●	●	●
Ignition key, which opens every machine lock	●	●	●	●	●	●	●
Standard LED working lights	●	●	●	●	●	●	●
Extra LED working lights	○	○	○	○	○	○	○
Rotating beacon	○	○	○	○	○	○	○
<b>ARM / BOOM / COUNTERWEIGHT / BLADE</b>							
Standard arm	●	●	●	●	●	●	●
Long arm	○	○	○	○	○	○	○
2-Piece-Boom	-	●	-	●	-	-	●
Boom Lift cylinder and dozer blade cylinder protection	●	●	●	●	●	●	●
Arm cylinder and bucket cylinder protection	■	■	■	■	■	■	■
Standard counterweight	●	-	●	-	●	●	-
Additional counterweight - Light	○	●	○	●	○	○	●
Additional counterweight - Heavy	○	○	○	○	○	○	○
Block valves on swing cylinder	-	-	-	-	●	●	●
Block valves on dozer blade cylinder	○	○	○	○	○	○	○
Block valves on 2 piece boom positioner cylinders	-	●	-	●	-	-	●
Object handling kit (block valves on boom and arm, lifting hook and load chart)	○	○	○	○	○	○	○
Standard Dozer Blade	●	●	●	●	●	●	●
6X1 (Angle/Tilt) Dozer Blade	○	○	○	○	○	○	○
Dozer Float	○	○	○	○	○	○	○
<b>ENGINE COMPARTMENT</b>							
Air Filter with drain valve and electric anti-clogging indicator	●	●	●	●	●	●	●
Hydraulic Reversible Fun Drive with automatic functionality	-	-	-	-	●	●	●
Electric fuel refill pump	○	○	○	○	-	-	-
Electric fuel refill pump with auto-stop function	-	-	-	-	○	●	●
<b>CONTROLS</b>							
Servo-assisted hydraulic joysticks with Electro-Hydraulic proportional controls	●	●	●	●	●	●	●
Electro-Hydraulic proportional Swing control	●	●	●	●	●	●	●
Electro-Hydraulic proportional 2-Piece-Boom control	-	●	-	●	-	-	●
1 <sup>st</sup> Auxiliary (AUX1) circuit with Electro-Hydraulic proportional control	●	●	●	●	●	●	●
2 <sup>nd</sup> Auxiliary (AUX2) circuit with Electro-Hydraulic proportional control	○	○	○	○	○	○	○
3 <sup>rd</sup> Auxiliary (AUX3) circuit with Electro-Hydraulic proportional control	○	○	○	○	-	○	○
Grapple provision (AUX3 with flow diverter from bucket cylinder)	○	○	○	○	○	○	○
Direct Drainage to tank	○	○	○	○	○	○	○
Electric diverter between Single effect and Double effect AUX1	●	●	●	●	●	●	●
2 speed travel with Automatic Shift Down (from 2 <sup>nd</sup> to 1st gear if more traction is required) and Shift-up	●	●	●	●	●	●	●
Electronic Proportional RPM control with Auto-Idle	●	●	●	●	●	●	●
<b>UNDERCARRIAGE</b>							
Rubber tracks	●	●	●	●	●	●	●
Steel tracks	○	○	○	○	○	○	○
Rubber pads for steel tracks	■	■	■	■	■	■	■
Geogrip tracks	■	■	■	■	■	■	■
<b>MISCELLANEOUS</b>							
Operator manual	●	●	●	●	●	●	●
Battery disconnect switch	●	●	●	●	●	●	●
Case Sitewatch and Site Connect	●	●	●	●	●	●	●
<b>HYDRAULICS</b>							
Variable Volume Pump	●	●	●	●	●	●	●
Standard Hydraulic oil and Lubricants	●	●	●	●	●	●	●
Bio Hydraulic oil and Lubricants	○	○	○	○	○	○	○
Automatic Centralized Lubrication	○	○	○	○	○	○	○
<b>ATTACHMENTS / PROVISIONS</b>							
High Flow provision (i.e. for Mulcher)	○	○	○	○	○	○	○
Hydraulic quick coupler provision (Single or Double Effect)	○	○	○	○	○	○	○
Mechanical and Hydraulic quick couplers	○■	○■	○■	○■	○■	○■	○■
Buckets	○■	○■	○■	○■	○■	○■	○■
Vast variety of attachments	■	■	■	■	■	■	■

# SPECIFICATIONS

## CX12D - CX35D

		CX12D	CX14D	CX17D
<b>ENGINE</b>				
Type		KUBOTA D722 - STAGE 5	KUBOTA D722 - STAGE 5	YANMAR 3TNV70 - STAGE 5
Max. Power	kW/hp	(2200 rpm) 8.8 - 11.8	(2200 rpm) 8.8 - 11.8	(2200 rpm) 12 - 16.3
Displacement	cm <sup>3</sup>	719	719	854
Number of cylinders	n°	3	3	3
Cooling		Liquid	Liquid	Liquid
Consumption	l/h	1.8	1.8	2.4
Alternator	V (Ah)	12 (40)	12 (40)	12 (40)
Battery	V (Ah)	12 (45)	12 (45)	12 (65)
<b>HYDRAULIC SYSTEM</b>				
Circuit Type		-	-	-
Pump type		n° 2 gear pumps	variable flow	variable flow
Pump displacement	cm <sup>3</sup>	5.5 + 5.5	5.5 + 5.5	8 + 8 + 6.6
Pump capacity	l/min	26	28	16 + 16 + 13.1
Max. circuit calibration pressure	bar	165	200	220
Auxiliary system (max pressure):				
• AUX 1	l/min (bar)	single or double effect 26 - 165	single or double effect 28 - 200	single or double effect 29.1 - 205
• AUX 2	l/min (bar)	optional 12 - 165	optional 13 - 165	optional 13.1 - 205
• AUX 3	l/min (bar)	-	-	optional 16 - 220
* with priority - **Low priority - ***High priority				
<b>SLEWING &amp; TRAVEL SPEED</b>				
Travelling speed (AUTO TWO SPEED)	km/h	1 <sup>st</sup> : 0 ÷ 1.8 / 2 <sup>nd</sup> : 0 ÷ 3.8	1 <sup>st</sup> : 0 ÷ 1.8 / 2 <sup>nd</sup> : 0 ÷ 3.8	1 <sup>st</sup> : 0 ÷ 2.2 / 2 <sup>nd</sup> : 0 ÷ 4.1
Slew speed	rpm	9.5	9.5	10.5
<b>CONTROLS</b>				
Boom, dipper stick, bucket and turret swing		2 pilot joysticks	2 pilot joysticks	2 pilot joysticks
Positioner two pieces boom		-	-	-
Track movements (included counter rotation)		2 pilot levers	2 pilot levers	2 mechanical levers
Dozer blade		pilot lever	pilot lever	pilot lever
Auxiliary system:				
• AUX 1		electroproportional switch on right joystick*	electroproportional switch on right joystick*	right pedal
• AUX 2		-	-	-
Boom swing		electroproportional switch on left joystick	electroproportional switch on left joystick	left pedal
* with latch - ** with holding function				
<b>WEIGHTS</b>				
Transport weight with roll-bar (with FOPS 1 roof)*	kg	1200 (1225)	1255 (1280)	
Operating weight with roll-bar (with FOPS 1 roof)* ISO 6016	kg	1305 (1330)	1360 (1385)	
Transport weight with canopy*	kg			1580
Transport weight with cab*	kg			1690
Operating weight with canopy* ISO 6016	kg			1690
Operating weight with cab* ISO 6016	kg			1800
* with rubber tracks				
<b>CIRCUIT AND COMPONENT CAPACITIES</b>				
Fuel tank	l	14.5	14.5	25
Hydraulic oil tank	l	9.5	9.5	20
Hydraulic circuit capacity	l	15	15	29
Cooling system capacity	l	6	6	4.5
Engine oil	l	1.8	1.8	2.4

CX18D	CX19D	CX20D	CX22D	CX25D	CX28D
YANMAR 3TNV70 - STAGE 5 (2200 rpm) 12 - 16.3	YANMAR 3TNV76 - STAGE 5 (2200 rpm) 13.7 - 18.6	YANMAR 3TNV76 - STAGE 5 (2200 rpm) 13.7 - 18.6	KUBOTA D1105 - STAGE 5 (2400 rpm) 15.4 - 20.9	YANMAR 3TNV76 - STAGE 5 (2200 rpm) 13.7 - 18.6	KUBOTA D1703-M-DI-E4B - STAGE 5 (2200 rpm) 18.2 - 24.7
854	1116	1116	1105	1116	1647
3	3	3	3	3	3
Liquid	Liquid	Liquid	Liquid	Liquid	Liquid
2.4	3.1	3.1	3	3	3.5
12 (40)	12 (40)	12 (40)	12 (40)	12 (40)	12 (40)
12 (65)	12 (65)	12 (65)	12 (62)	12 (65)	12 (74)
-	-	-	Load Sensing closed center system with "Flow Sharing" control valve	-	Load Sensing closed center system with "Flow Sharing" control valve
variable flow	variable flow	variable flow	1 LS variable pump + 1 gear pump	variable flow	1 LS variable pump + 1 gear pump
8 + 8 + 6.6	9 + 9 + 6.6	9 + 9 + 6.6	25 + 4.95	2 x 13 + 8.3	48 + 5
16 + 16 + 13.1	18 + 18 + 13.1	18 + 18 + 13.1	52 + 10.3	2 x 28.5 + 18	105 + 10
220	240	240	240	230	250
single or double effect 29.1 - 205 optional 13.1 - 205 optional 16 - 220	single or double effect 31.1 - 205 optional 13.1 - 205 optional 18 - 240	single or double effect 31.1 - 205 optional 13.1 - 205 optional 18 - 240	single or double effect* 50 - 200 optional 13/8 - 220 optional 50 - 220	single or double effect 45 - 210 optional 18 - 200 optional 46 - 210	single or double effect* 50 - 200 double effect - optional 35/20 - 250 double effect - optional 35/20 - 250
* with priority - **Low priority - ***High priority					
1 <sup>st</sup> : 0 ÷ 2.2 / 2 <sup>nd</sup> : 0 ÷ 4.1	1 <sup>st</sup> : 0 ÷ 2.3 / 2 <sup>nd</sup> : 0 ÷ 4.4	1 <sup>st</sup> : 0 ÷ 2.3 / 2 <sup>nd</sup> : 0 ÷ 4.4	1 <sup>st</sup> : 0 ÷ 2.6 / 2 <sup>nd</sup> : 0 ÷ 4.0	1 <sup>st</sup> : 0 ÷ 2.6 / 2 <sup>nd</sup> : 0 ÷ 4.3	1 <sup>st</sup> : 0 ÷ 2.5 / 2 <sup>nd</sup> : 0 ÷ 4.6
10.5	10.5	10.5	10.5	11	10
2 pilot joysticks	2 pilot joysticks	2 pilot joysticks	2 pilot joysticks	2 pilot joysticks	2 pilot joysticks
-	-	electroproportional switch on right joystick	-	-	-
2 mechanical levers pilot lever	2 pilot levers pilot lever	2 pilot levers pilot lever	2 pilot levers pilot lever	2 pilot levers pilot lever	2 pilot levers pilot lever
right pedal	electroproportional switch on right joystick	electroproportional switch on right joystick	electroproportional switch on right joystick**	electroproportional switch on right joystick*	electroproportional switch on right joystick**
-	-	-	-	-	electroproportional switch on left joystick
left pedal	electroproportional switch on left joystick	electroproportional switch on left joystick	-	electroproportional switch on left joystick	electroproportional switch on left joystick
* with latch - ** with holding function					
1720	1770	1900	2090	2450	2890
1830	1880	2010	2190	2580	3020
1830	1880	2010	2220	2580	3020
1940	1990	2120	2320	2710	3150
25	25	25	20	26	46
20	20	20	16	29	30
29	29	30	25	40	54
4.5	4.5	4.5	4	5	7.5
2.4	2.8	2.8	4.4	2.8	7

# SPECIFICATIONS

## CX42D - CX65D

		CX35D	CX42D	CX45D
<b>ENGINE</b>				
Type		KUBOTA D1703-M-DI-E4B - STAGE 5	KUBOTA D1803-CR-T - STAGE 5	KUBOTA D1803-CR-T - STAGE 5
Max. Power	kW/hp	(2200 rpm) 18.2 - 24.7	(2300 rpm) 32.3 - 43.9	(2300 rpm) 32.3 - 43.9
Displacement	cm <sup>3</sup>	1647	1826	1826
Number of cylinders	n°	3	3	3
Cooling		Liquid	Liquid	Liquid
Consumption	l/h	3.5	5.4	5.4
Alternator	V (Ah)	12 (40)	12 (60)	12 (60)
Battery	V (Ah)	12 (74)	12 (75)	12 (75)
<b>HYDRAULIC SYSTEM</b>				
Circuit Type		Load Sensing closed center system with "Flow Sharing" control valve	Load Sensing closed center system with "Flow Sharing" control valve	Load Sensing closed center system with "Flow Sharing" control valve
Pump type		1 LS variable pump + 1 gear pump	1 LS hydraulic variable pump with electronic control + 1 gear pump	1 LS hydraulic variable pump with electronic control + 1 gear pump
Pump displacement	cm <sup>3</sup>	48 + 5	53.7 + 11.2	53.7 + 11.2
Pump capacity	l/min	105 + 10	107 + 22.3	107 + 22.3
Max. circuit calibration pressure	bar	250	280	280
Auxiliary system (max pressure):				
• AUX 1	l/min (bar)	single or double effect* 50 - 200	single or double effect* 60 - 200	single or double effect* 60 - 200
• AUX 2	l/min (bar)	double effect - optional 35/20 - 250	double effect - optional 40/30 - 280	double effect - optional 40/30 - 280
• AUX 3	l/min (bar)	double effect - optional 35/20 - 250	double effect - optional 40/30 - 280	double effect - optional 40/30 - 280
* with priority - **Low priority - ***High priority				
<b>SLEWING &amp; TRAVEL SPEED</b>				
Travelling speed (AUTO TWO SPEED)	km/h	1 <sup>st</sup> : 0 ÷ 2.5 / 2 <sup>nd</sup> : 0 ÷ 4.6	1 <sup>st</sup> : 0 ÷ 2.6 / 2 <sup>nd</sup> : 0 ÷ 4.5	1 <sup>st</sup> : 0 ÷ 2.6 / 2 <sup>nd</sup> : 0 ÷ 4.5
Slew speed	rpm	11	10.5	10.5
<b>CONTROLS</b>				
Boom, dipper stick, bucket and turret swing		2 pilot joysticks	2 pilot joysticks	2 pilot joysticks
Positioner two pieces boom				
Track movements (included counter rotation)		2 pilot levers	2 pilot levers	2 pilot levers
Dozer blade		pilot lever	pilot lever	pilot lever
Auxiliary system:				
• AUX 1		electroproportional switch on right joystick**	electroproportional switch on right joystick**	electroproportional switch on right joystick**
• AUX 2		electroproportional switch on left joystick	electroproportional switch on right joystick	electroproportional switch on right joystick
• AUX 3			electroproportional switch on left joystick	electroproportional switch on left joystick
Boom swing		electroproportional switch on left joystick	electroproportional switch on left joystick	electroproportional switch on left joystick
* with latch - ** with holding function				
<b>WEIGHTS</b>				
Transport weight with canopy*	kg	3120		
Transport weight with cab*	kg	3250	4200	4600
Operating weight with canopy* ISO 6016	kg	3270		
Operating weight with cab* ISO 6016	kg	3400	4350	4750
* with rubber tracks				
<b>CIRCUIT AND COMPONENT CAPACITIES</b>				
Fuel tank	l	45	60	60
Hydraulic oil tank	l	30	50	50
Hydraulic circuit capacity	l	54	65	65
Cooling system capacity	l	7.5	9	9
Engine oil	l	7	7	7

CX50D	CX55D	CX58D	CX60D	CX65D
PERKINS 404J-E22T - STAGE 5 (2300 rpm) 44.0 - 59.8	PERKINS 404J-E22T - STAGE 5 (2300 rpm) 44.0 - 59.8	KUBOTA V2607-CR-T - STAGE 5 (2300 rpm) 44.3 - 60.2	KUBOTA V2607-CR-T - STAGE 5 (2300 rpm) 44.3 - 60.2	KUBOTA V2607-CR-T - STAGE 5 (2200 rpm) 44.3 - 60.2
2216	2216	2615	2615	2615
4	4	4	4	4
Liquid	Liquid	Liquid	Liquid	Liquid
7.1	7.1	7.6	7.6	7.6
12 (85)	12 (85)	12 (60)	12 (60)	12 (60)
12 (100)	12 (100)	12 (95)	12 (95)	12 (95)
Load Sensing closed center system with "Flow Sharing" control valve LS hydraulic variable pump with electronic control + 1 gear pump	Load Sensing closed center system with "Flow Sharing" control valve LS hydraulic variable pump with electronic control + 1 gear pump	Load Sensing closed center system with "Flow Sharing" control valve LS hydraulic variable pump with electronic control + 1 gear pump	Load Sensing closed center system with "Flow Sharing" control valve 1 LS hydraulic variable pump with electronic control + 1 gear pump	Load Sensing closed center system with "Flow Sharing" control valve 1 LS hydraulic variable pump with electronic control + 1 gear pump
65 + 14.5	65 + 14.5	65 + 14.5	71 + 14	71 + 14
129 + 28.8	129 + 28.8	129 + 28.8	141 + 27.8	141 + 27.8
280	280	280	280	280
single or double effect* 70 - 200	single or double effect* 70 - 200	single or double effect* 80 - 200	single or double effect* 85 - 200	single or double effect*** 85 - 200
double effect - optional 40/30 - 280	double effect - optional 40/30 - 280	double effect - optional 60/40 - 280	double effect 60/40 - 280	double effect 60/40 - 280
optional 40/30 - 280	optional 40/30 - 280	optional 37 - 280	double effect - optional** 37/37 - 280	double effect - optional** 37/37 - 280
* with priority - **Low priority - ***High priority				
1 <sup>st</sup> : 0 ÷ 2.6 / 2 <sup>nd</sup> : 0 ÷ 4.5	1 <sup>st</sup> : 0 ÷ 2.6 / 2 <sup>nd</sup> : 0 ÷ 4.5	1 <sup>st</sup> : 0 ÷ 2.5 / 2 <sup>nd</sup> : 0 ÷ 4.5	1 <sup>st</sup> : 0 ÷ 2.3 / 2 <sup>nd</sup> : 0 ÷ 4.5	1 <sup>st</sup> : 0 ÷ 2.3 / 2 <sup>nd</sup> : 0 ÷ 4.5
10.5	10.5	11	11	11
2 pilot joysticks	2 pilot joysticks	2 pilot joysticks	2 pilot joysticks	2 pilot joysticks
2 pilot levers pilot lever	2 pilot levers pilot lever	2 pilot levers pilot lever	2 pilot levers pilot lever	2 pilot levers pilot lever
electroproportional switch on right joystick**	electroproportional switch on right joystick**	electroproportional switch on right joystick**	electroproportional switch on right joystick**	electroproportional switch on right joystick**
electroproportional switch on right joystick	electroproportional switch on right joystick		electroproportional switch on right joystick	electroproportional switch on right joystick
electroproportional switch on left joystick	electroproportional switch on left joystick		electroproportional switch on left joystick	electroproportional switch on left joystick
electroproportional switch on left joystick	electroproportional switch on left joystick	electroproportional switch on left joystick	electroproportional switch on left joystick	electroproportional switch on left joystick
* with latch - ** with holding function				
4800	5250	5440	5740	6290
4950	5400	5670	5970	6520
75	75	85	85	85
65	65	60	60	60
85	85	80	80	80
11	11	12	12	12
10.6	10.6	10.2	10.2	10.2

# SPECIFICATIONS

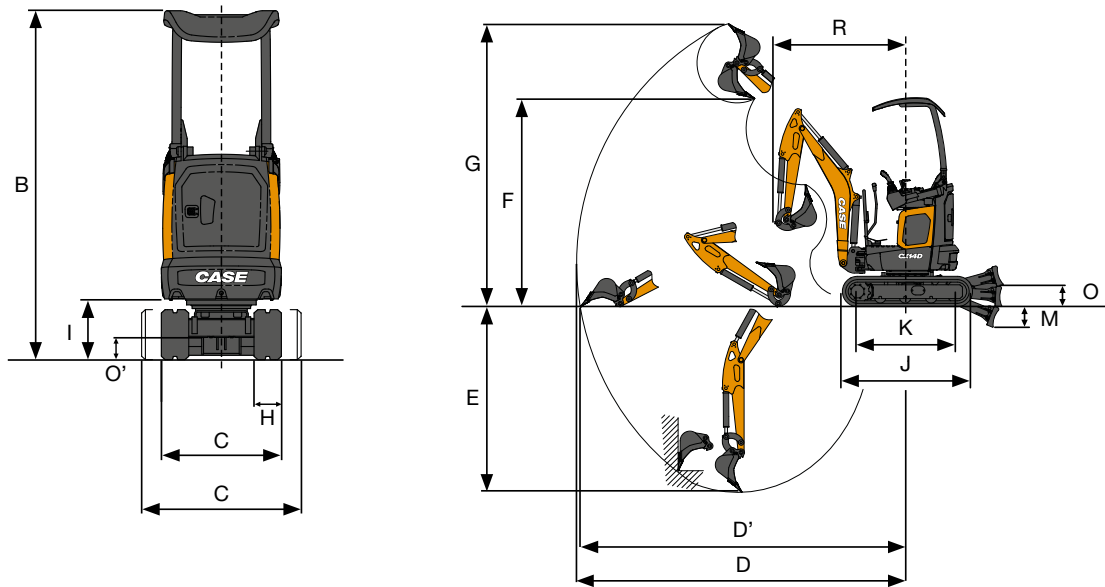
## ELECTRIC VEHICLE

		CX15EV			CX25EV			
<b>ENGINE</b>								
Type		Internal Permanent Magnets (IPM)			Internal Permanent Magnets (IPM)			
Rated engine power	kW	11.0			25.0			
Peak engine power	kW	16.0			32.0			
Supply		three-phase alternating current			three-phase alternating current			
<b>SUPPLY</b>								
Battery chemistry		lithium-ion			lithium-ion			
Gross capacity	kWh	21.5			32.3			
Nominal voltage of the system	V	102			102			
Autonomy according to the operating mode	h	4 ÷ 8			4 ÷ 8			
<b>CHARGING TIMES</b>								
On-board charger 220V	h	10			9			
External three-phase rapid charge 380V (Optional)	h	1.0 (80%) - 1.5 (100%)			1.5 (80%) - 2.0 (100%)			
<b>SLEWING &amp; TRAVEL SPEED</b>								
Travelling speed (AUTO TWO SPEED)	km/h	1 <sup>st</sup> : 0 ÷ 1.8 / 2 <sup>nd</sup> : 0 ÷ 3.8			1 <sup>st</sup> : 0 ÷ 2.6 / 2 <sup>nd</sup> : 0 ÷ 4.0			
Slew speed	rpm	9.5			10.5			
<b>OPERATING MODES</b>								
			ECO	STD	PWR	ECO	STD	PWR
	Max.	rpm	2400	2600	2800	2400	2600	2800
<b>HYDRAULIC SYSTEM</b>								
Control valve		Load Sensing Flow Sharing			Load Sensing Flow Sharing			
Hydraulic system capacity	l	15			25			
Pump type		1 Low Noise Helical Gear Pump			1 LS Variable pump			
Pump displacement	cm <sup>3</sup>	10.1			18			
Pump flow rate	l/min	28			52			
Max. circuit calibration pressure	bar	180			210			
Auxiliary system (max pressure):								
• AUX 1	l/min (bar)	single or double effect 28 - 180			single or double effect 50 - 220 bar			
• AUX 2	l/min (bar)	optional 10 - 180			optional 13/8 - 220 bar			
• AUX 3	l/min (bar)				optional 50 - 220 bar			
<b>CONTROLS</b>								
Boom, dipper stick, bucket and turret swing		2 electro-proportional joysticks			2 electro-proportional joysticks			
Track movements (included counter rotation)		2 electro-proportional levers			2 electro-proportional levers			
Dozer blade		electro-proportional lever			electro-proportional lever			
Auxiliary system: AUX 1, AUX 2, AUX 3		electroproportional switch on joystick			electroproportional switch on joystick			
Boom swing		electroproportional switch on left joystick			Boom swing electroproportional switch on left joystick			
<b>WEIGHTS</b>								
Transport weight with roll-bar*	kg	1315						
Transport weight with canopy*	kg				2090			
Transport weight with cab*	kg				2220			
Operating weight with roll-bar* ISO 6016	kg	1420						
Operating weight with canopy* ISO 6016	kg				2190			
Operating weight with cab* ISO 6016	kg				2320			
* with rubber tracks								



# SPECIFICATIONS

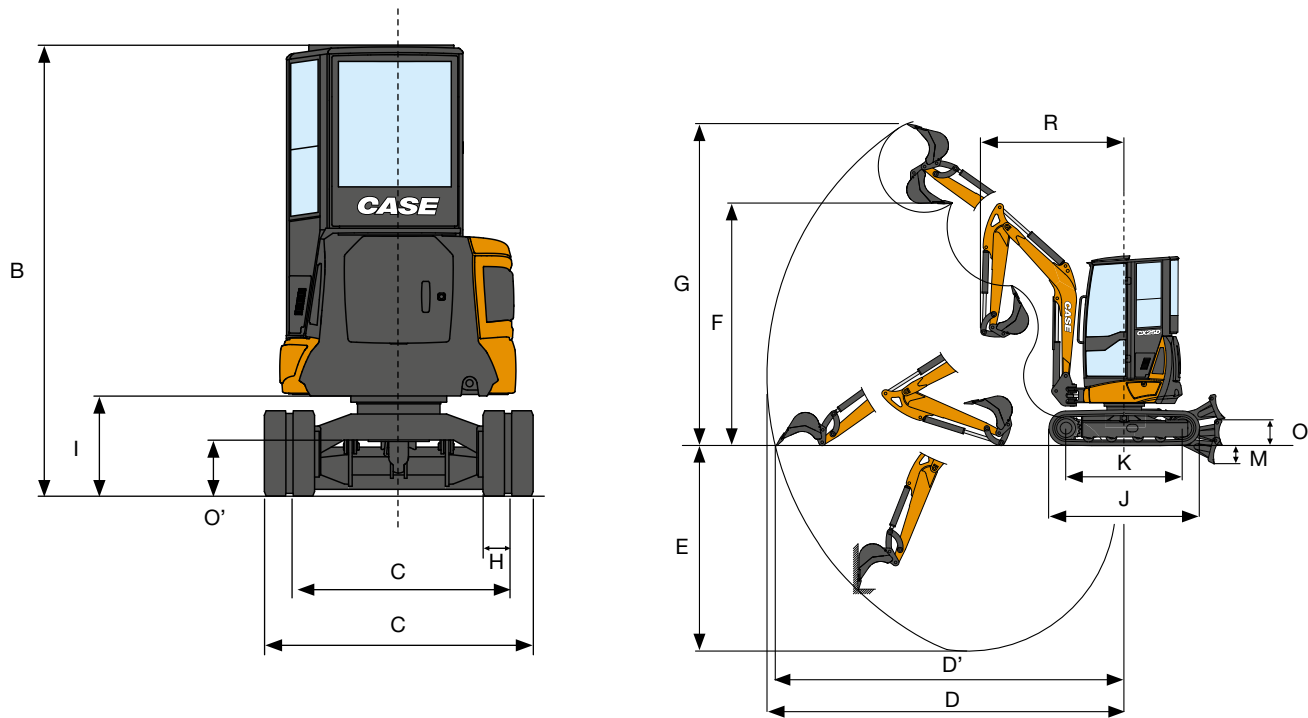
## MINI EXCAVATORS



GENERAL DIMENSIONS		CX12D	CX14D	CX15EV	CX17D	CX18D
B	Max height	mm 2300	2300	2300	2370	2370
C	Max width	mm 790 - 1050	790 - 1050	790 - 1050	990 - 1250	990 - 1300
R	Min front slew radius	mm 1415 - 1440	1465 - 1490	1465 - 1490	-	1670 - 1690
H	Track width	mm 180	180	180	230	230
I	Ground clearance of rear end	mm -	-	-	454	456
J	Overall length of crawler	mm 1434	1434	1434	1466	1560
K	Center distance of tumbler	mm 1100	1100	1000	1089	1185
M	Blade max lowering	mm 225	225	225	240	260
O	Blade height	mm 220	220	220	280	290
O'	Ground clearance of undercarriage	mm 145	145	145	-	-
	Rear rotation radius	mm 525	565	710	650	650
	Digging arm length standard (optional)	mm 900 (1020)	1020 (1150)	1020 (1150)	950 (1150)	1150 (1350)
	Rollers number (for each side)	n° 3	3	3	3	3

PERFORMANCE DATA		CX12D		CX14D		CX15EV		CX17D		CX18D	
Dipperstick	mm	900	1020	1020	1150	1020	1150	950	1150	1150	1350
Arm breaking force ISO 6015	daN	690		630		630		1080	950	950	
Bucket breaking force	daN	1150		1150		1150		1500		1500	
Traction force	daN	1000		1000		1000		1700		1700	
Ground bearing pressure with:											
- canopy	kg/cm <sup>2</sup>	0.29		0.31		0.31		-	-	-	
- canopy ABS roof	kg/cm <sup>2</sup>	0.30		-		0.32		-	-	-	
- rubber tracks and canopy	kg/cm <sup>2</sup>	-		-		-		0.30	0.31	0.30	
- rubber tracks and cab	kg/cm <sup>2</sup>	-		-		-		0.31	0.33	0.31	
Max. slope		60% - 30°		60% - 30°		60% - 30°		60% - 30°		60% - 30°	
D	Max reach	mm 3440	3545	3645	3755	3645	3755	3730	3920	4020	4210
D'	Max reach at ground level	mm 3400	3505	3605	3715	3605	3715	3620	3820	3920	4120
E	Max digging depth	mm 1860	1980	2045	2175	2045	2175	2020	2220	2280	2480
F	Max dump height	mm 2130	2215	2290	2380	2290	2380	2340	2460	2580	2700
G	Max digging height	mm 2940	3025	3115	3205	3115	3205	3340	3460	3590	3710



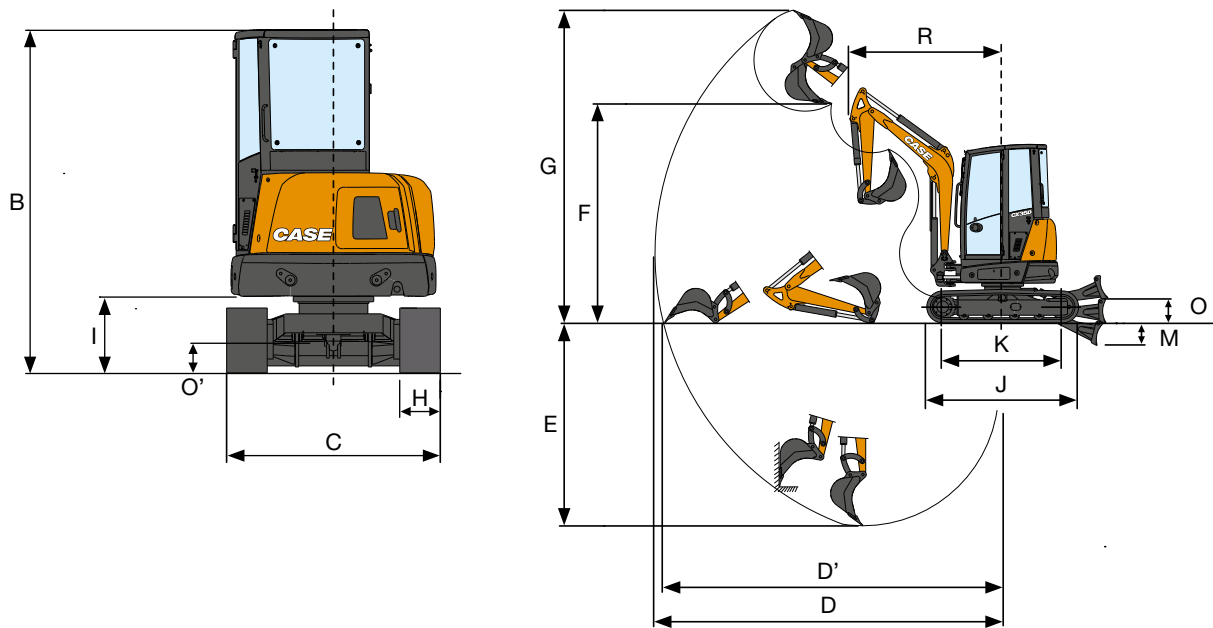


GENERAL DIMENSIONS		CX19D	CX20D	CX22D	CX25EV	CX25D
B	Max height	mm	2370	2370	2395	2527
C	Max width	mm	900 - 1300	990 - 1300	990 - 1300	1500
R	Min front slew radius - canopy - cab	mm	1670 - 1690	1880 - 1990	1795 - 1810	1810 - 1860 1880 - 1910
H	Track width	mm	230	230	230	280
I	Ground clearance of rear end	mm	456	456	445	445
J	Overall length of crawler	mm	1560	1560	1665	1665
K	Center distance of tumblers	mm	1185	1185	1280	1280
M	Blade max lowering	mm	260	260	275	275
O	Blade height	mm	290	290	280	280
O'	Ground clearance of undercarriage	mm	165	165	165	310
	Rear rotation radius	mm	650	715	950	950
	Digging arm length standard (optional)	mm	1150 (1350)	1150 (1350)	1250 (1450)	1250 (1450)
	Rollers number (for each side)	n°	3	3	3	4/1

PERFORMANCE DATA		CX19D	CX20D	CX22D	CX25EV	CX25D
Dipperstick	mm	1150 1350	1150 1350	1250 1450	1250 1450	1350 1550
Arm breaking force ISO 6015	daN	950	950	1000	1000	1450
Bucket breaking force	daN	1500	1500	1600	1600	2200
Traction force	daN	1860	1860	2200	2200	2200
Ground bearing pressure with:						
- rubber tracks and canopy	kg/cm <sup>2</sup>	0.31	0.33	0.34	0,34	0.28
- rubber tracks and cab	kg/cm <sup>2</sup>	0.32	0.34	0.35	0,35	0.29
Max. slope		60% - 30°	60% - 30°	60% - 30°	60% - 30°	60% - 30°
D	Max reach	mm	4020 4210	4470 4670	4380 4570	4380 4570
D'	Max reach at ground level	mm	3920 4120	4390 4590	4285 4485	4285 4485
E	Max digging depth	mm	2280 2480	2380 2580	2560 2760	2560 2760
F	Max dump height - canopy - cab	mm	2580 2700	3370 2220	2650 2760	2650 2760
G	Max digging height - canopy - cab	mm	3590 3710	4460 4640	3775 3885	3775 3885
						4510 4650 4320 4440

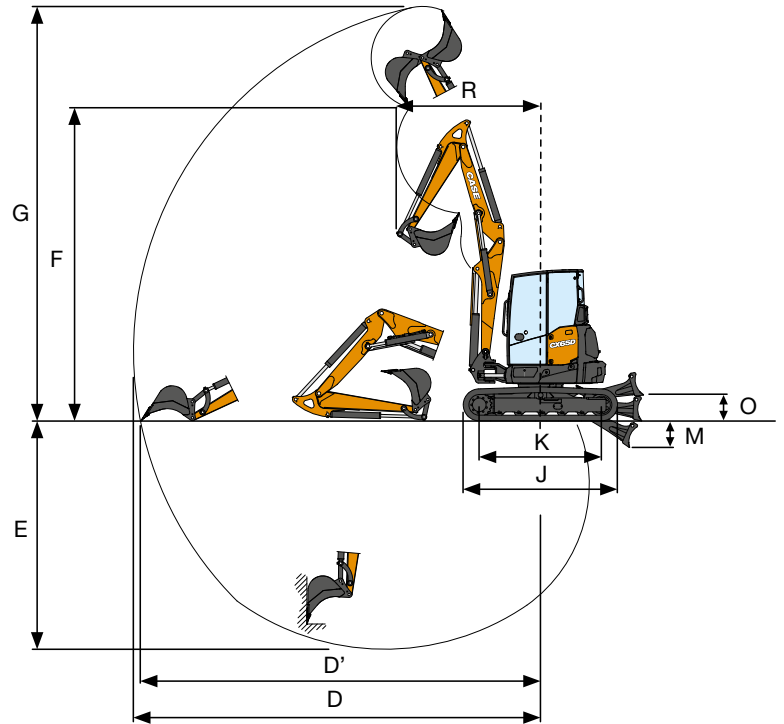
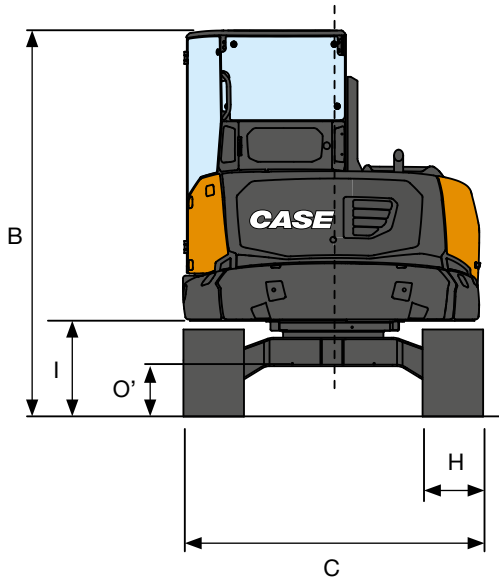
# SPECIFICATIONS

## MINI EXCAVATORS



GENERAL DIMENSIONS		CX28D	CX35D	CX42D	CX45D
B	Max height	mm 2530	2530	2510	2510
C	Max width	mm 1550	1580	1750	1750
R	Min front slew radius	mm 2060	2170	2170 - 2190	2290 - 2450
H	Track width	mm 280	300	350	350
I	Ground clearance of rear end	mm 570	570	550	550
J	Overall length of crawler	mm 2100	2155	2260	2260
K	Center distance of tumbler	mm 1650	1700	1810	1810
M	Blade max lowering	mm 305	315	330	330
O	Blade height	mm 340	345	380	380
O'	Ground clearance of undercarriage	mm 240	230	-	-
	Rear rotation radius	mm 770	790	875	975
	Digging arm length standard (optional)	mm 1200 (1400)	1200 (1400)	1400 (1650)	1400 (1650)
	Rollers number (for each side)	n° 4/1	4/1	5/1	5/1

PERFORMANCE DATA		CX28D	CX35D	CX42D	CX45D
Dipperstick	mm	1200 1400	1200 1400	1400 1650	1400 1650
Arm breaking force ISO 6015	daN	1750	1750	2200	2200
Bucket breaking force	daN	3500	3100	4300	4300
Traction force	daN	3400	3400	4260	4260
Ground bearing pressure with:					
- rubber tracks and canopy	kg/cm <sup>2</sup>	0.29	0.33	-	-
- rubber tracks and cab	kg/cm <sup>2</sup>	0.31	0.34	0.30	0.33
Max. slope		60% - 30°	60% - 30°	60% - 30°	60% - 30°
D	Max reach	mm 4720 4910	4930 5120	5400 5640	5960 6210
D'	Max reach at ground level	mm 4590 4790	4810 5010	5270 5515	5840 6100
E	Max digging depth	mm 2650 2850	2870 3070	3085 3335	3230 3480
F	Max dump height	mm 3100 3220	3110 3230	3660 3820	4620 4860
G	Max digging height	mm 4280 4400	4440 4560	5010 5170	6070 6310



GENERAL DIMENSIONS		CX50D	CX55D	CX58D	CX60D	CX65D	
B	Max height	mm	2570	2570	2550	2550	
C	Max width	mm	1900	1900	1980	1980	
R	Min front slew radius	mm	2240 - 2280	2370 - 2530	2290 - 2315	2390 - 2410	2430 - 2570
H	Track width	mm	400	400	400	400	400
I	Ground clearance of rear end	mm	610	610	630	630	630
J	Overall length of crawler	mm	2460	2460	2460	2600	2600
K	Center distance of tumbler	mm	1920	1920	1920	2060	2060
M	Blade max lowering	mm	480	475	410	450	450
O	Blade height	mm	385	390	420	420	420
O'	Ground clearance of undercarriage	mm	-	-	330	330	330
	Rear rotation radius	mm	950	1050	1000	1000	1100
	Digging arm length standard (optional)	mm	1500 (1750)	1500 (1750)	1500 (1650)	1650 (1900)	1650 (1900)
	Rollers number (for each side)	n°	5/1	5/1	5/1	5/1	5/1

PERFORMANCE DATA		CX50D	CX55D	CX58D	CX60D	CX65D	
Dipperstick	mm	1500 1750	1500 1750	1500 1650	1650 1900	1650 1900	
Arm breaking force ISO 6015	daN	2350	2350	2800	3300	3300	
Bucket breaking force	daN	4300	4300	5300	5300	5300	
Traction force	daN	5420	5420	5500	6500	6500	
Ground bearing pressure with:							
- rubber tracks and canopy	kg/cm <sup>2</sup>	-	-	-	-	-	
- rubber tracks and cab	kg/cm <sup>2</sup>	0.28	0.31	0.31	0.31	0.34	
Max. slope		60% - 30°	60% - 30°	60% - 30°	60% - 30°	60% - 30°	
D	Max reach	mm	5630 5870	6310 6560	5980 6140	6250 6490	6870 7110
D'	Max reach at ground level	mm	5500 5750	6190 6450	5845 6005	6120 6360	6750 7000
E	Max digging depth	mm	3330 3580	3490 3740	3400 3570	3850 4100	3950 4200
F	Max dump height	mm	3920 4080	5030 5270	3950 4050	4090 4240	5280 5510
G	Max digging height	mm	5260 5420	6480 6720	5670 5770	5800 5950	7000 7220

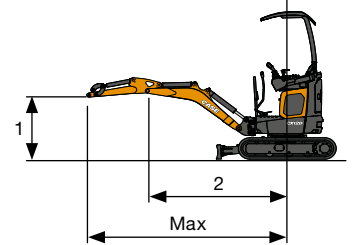
# LIFTING CAPACITY

## CX12D - CX25D

Opening arm from the rotation's center (m). Lifting capacity (ton) at 1.0 m height

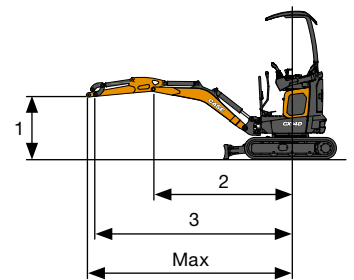
CX12D	2	Max
Frontal and lowered dozer blade	0.26*	0.14
Frontal and lifted dozer blade	0.26*	0.14
Lateral, open undercarriage	0.25*	0.12

Standard dipper stick L = 900 mm  
(Optional dipper stick L = 1020 mm)



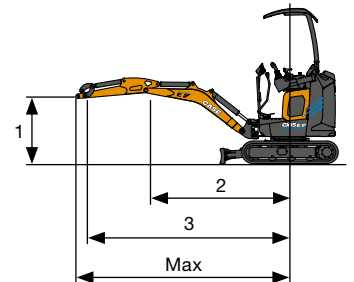
CX14D	2	3	Max
Frontal and lowered dozer blade	0.30*	0.15*	0.14*
Frontal and lifted dozer blade	0.30*	0.15	0.13
Lateral, open undercarriage	0.28*	0.14	0.11

Standard dipper stick L = 1020 mm  
(Optional dipper stick L = 1150 mm)



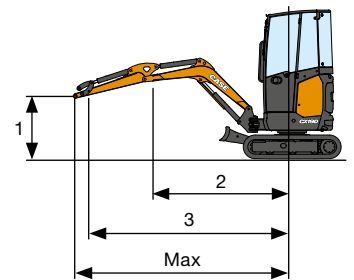
CX15EV	2	3	Max
Frontal and lowered dozer blade	330*	240*	230*
Frontal and lifted dozer blade	330*	190	170
Lateral, open undercarriage	240	120	120

Standard dipper stick L = 1020 mm  
(Optional dipper stick L = 1150 mm)



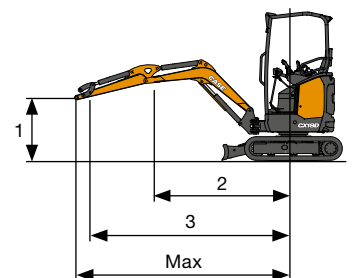
CX17D	2	3	Max
Frontal and lowered dozer blade	720* (630*)	480* (450*)	460* (420*)
Frontal and lifted dozer blade	300 (360)	160 (190)	150 (160)
Lateral, open undercarriage	340 (400)	190 (210)	170 (180)

Standard dipper stick L = 950 mm  
(Optional dipper stick L = 1150 mm)



CX18D	2	3	Max
Frontal and lowered dozer blade	610*	420*	390*
Frontal and lifted dozer blade	420	230	180
Lateral, open undercarriage	420	230	180

Standard dipper stick L = 1150 mm  
(Optional dipper stick L = 1350 mm)



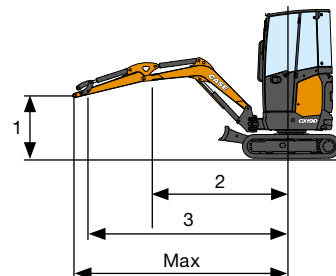
\* Indicates the hydraulic load limit.

The lifting capacity is based on the ISO 10567 and it does not exceed more than the 75% of static tipping load or more than the 87% of the hydraulic lifting capacity of the machine.

Opening arm from the rotation's center (m). Lifting capacity (ton) at 1.0 m height

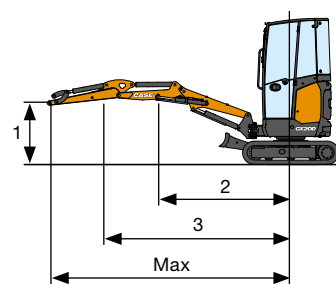
CX19D	2	3	Max
Frontal and lowered dozer blade	610*	420*	390*
Frontal and lifted dozer blade	430	230	180
Lateral, open undercarriage	430	230	190

Standard dipper stick L = 1150 mm  
(Optional dipper stick L = 1350 mm)



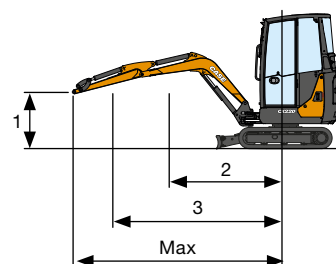
CX20D	2	3	Max
Frontal and lowered dozer blade	640*	400*	360*
Frontal and lifted dozer blade	490	250	160
Lateral, open undercarriage	470	250	160

Standard dipper stick L = 1150 mm  
(Optional dipper stick L = 1350 mm)



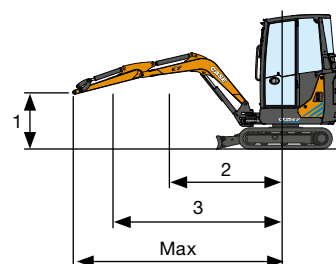
CX22D	2	3	Max
Frontal and lowered dozer blade	760*	480*	420*
Frontal and lifted dozer blade	760*	410	290
Lateral, open undercarriage	700	350	260

Standard dipper stick L = 1250 mm  
(Optional dipper stick L = 1450 mm)



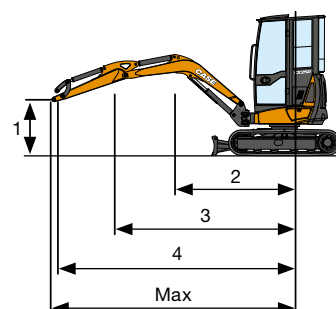
CX25EV	2	3	Max
Frontal and lowered dozer blade	760*	480*	420*
Frontal and lifted dozer blade	760*	410	290
Lateral, open undercarriage	700	350	260

Standard dipper stick L = 1250 mm  
(Optional dipper stick L = 1450 mm)



CX25D	2	3	4	Max
Frontal and lowered dozer blade	1040*	550*	420*	410*
Frontal and lifted dozer blade	750	420	260	240
Lateral, open undercarriage	790	440	280	270

Standard dipper stick L = 1350 mm  
(Optional dipper stick L = 1550 mm)



\* Indicates the hydraulic load limit.

The lifting capacity is based on the ISO 10567 and it does not exceed more than the 75% of static tipping load or more than the 87% of the hydraulic lifting capacity of the machine.

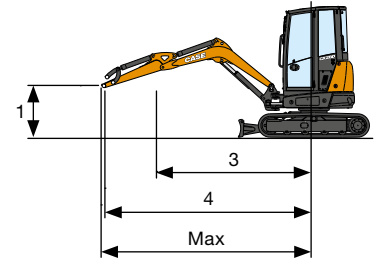
# LIFTING CAPACITY

## CX28D - CX65D

Opening arm from the rotation's center (m). Lifting capacity (ton) at 1.0 m height

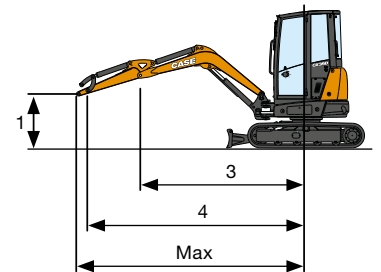
CX28D	3	4	Max
Frontal and lowered dozer blade	890*	680*	670*
Frontal and lifted dozer blade	600	390	380
Lateral, open undercarriage	420	280	270

Standard dipper stick L = 1200 mm  
(Optional dipper stick L = 1400 mm)



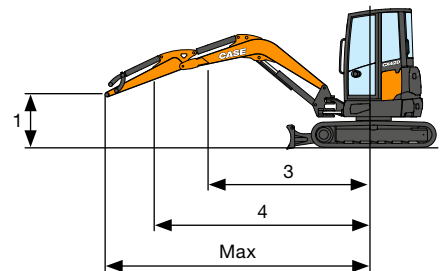
CX35D	3	4	Max
Frontal and lowered dozer blade	870*	650*	630*
Frontal and lifted dozer blade	870*	650*	630*
Lateral, open undercarriage	690	470	430

Standard dipper stick L = 1200 mm  
(Optional dipper stick L = 1400 mm)



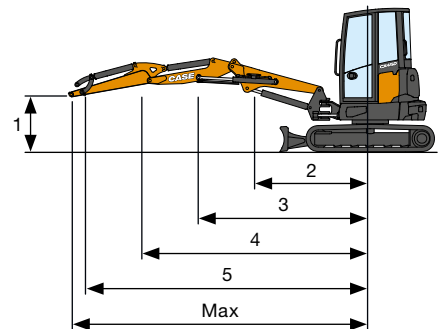
CX42D	3	4	Max
Frontal and lowered dozer blade	1620*	1150*	1030*
Frontal and lifted dozer blade	1010	660	530
Lateral, open undercarriage	720	480	390

Standard dipper stick L = 1400 mm  
(Optional dipper stick L = 1650 mm)



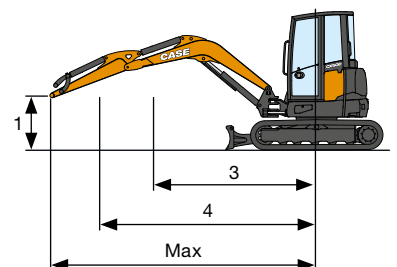
CX45D	2	3	4	5	Max
Frontal and lowered dozer blade	2220*	1170*	1040*	930*	860*
Frontal and lifted dozer blade	2220*	1170*	770	520	480
Lateral, open undercarriage	1580	870	560	370	340

Standard dipper stick L = 1400 mm  
(Optional dipper stick L = 1650 mm)



CX50D	3	4	Max
Frontal and lowered dozer blade	1830*	1280*	1090*
Frontal and lifted dozer blade	1260	820	610
Lateral, open undercarriage	930	620	460

Standard dipper stick L = 1500 mm  
(Optional dipper stick L = 1750 mm)



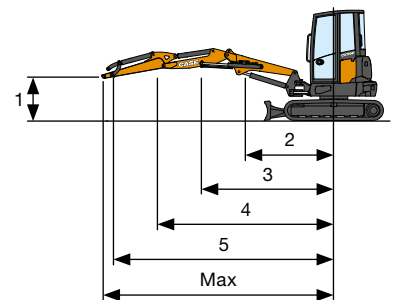
\* Indicates the hydraulic load limit.

The lifting capacity is based on the ISO 10567 and it does not exceed more than the 75% of static tipping load or more than the 87% of the hydraulic lifting capacity of the machine.

Opening arm from the rotation's center (m). Lifting capacity (ton) at 1.0 m height

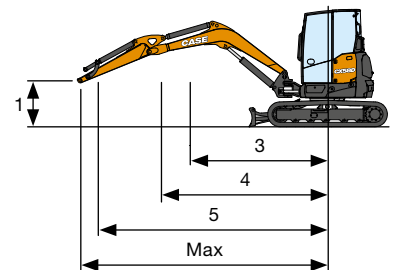
CX55D	2	3	4	5	Max
Frontal and lowered dozer blade	3060*	1530*	1240*	1140*	980*
Frontal and lifted dozer blade	2880	1460	930	630	520
Lateral, open undercarriage	1970	1080	700	470	390

Standard dipper stick L = 1500 mm  
(Optional dipper stick L = 1750 mm)



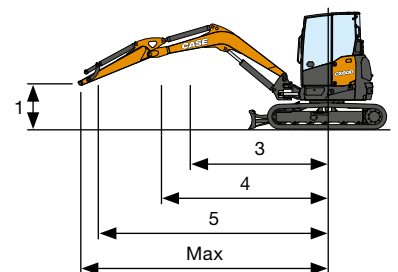
CX58D	3	4	5	Max
Frontal and lowered dozer blade	2740*	1820*	1430*	1390*
Frontal and lifted dozer blade	1490	980	700	680
Lateral, open undercarriage	1290	860	620	590

Standard dipper stick L = 1500 mm  
(Optional dipper stick L = 1650 mm)



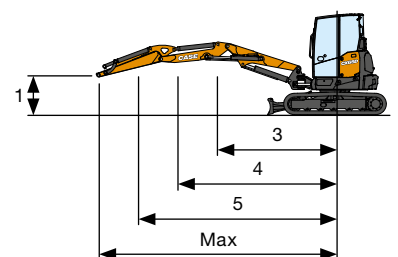
CX60D	3	4	5	Max
Frontal and lowered dozer blade	3310*	2200*	1740*	1620*
Frontal and lifted dozer blade	1710	1110	800	720
Lateral, open undercarriage	1190	800	580	520

Standard dipper stick L = 1650 mm  
(Optional dipper stick L = 1900 mm)



CX65D	3	4	5	Max
Frontal and lowered dozer blade	2600*	2070*	1690*	1280*
Frontal and lifted dozer blade	2020	1240	860	640
Lateral, open undercarriage	1430	890	610	450

Standard dipper stick L = 1650 mm  
(Optional dipper stick L = 1900 mm)



\* Indicates the hydraulic load limit.

The lifting capacity is based on the ISO 10567 and it does not exceed more than the 75% of static tipping load or more than the 87% of the hydraulic lifting capacity of the machine.

# BUILDING A STRONG CASE.

Since 1842, at CASE Construction Equipment we have lived by an unwavering commitment to build practical, intuitive solutions that deliver both efficiency and productivity.

We continually strive to make it easier for our customers to implement emerging technologies and new compliance mandates.

Today, our global scale combined with our local expertise enables us to keep customers' real-world challenges at the center of our product development.

The vast CASE dealers' network is always ready to support and protect your investment and exceed your expectations, while also providing you with the ultimate ownership experience.

Our goal is to build both stronger machines-and stronger communities. At the end of the day, we do what's right for our customers and our communities so that they can count on CASE.

**CNH Industrial**  
Deutschland GmbH  
Case Baumaschinen  
Benzstr. 1-3 - D-74076 Heilbronn  
DEUTSCHLAND

**CNH Industrial**  
Maquinaria Spain, S.A.  
Avenida Aragón 402  
28022 Madrid - ESPAÑA

**CNH Industrial France, S.A.**  
16-18 Rue des Rochettes  
91150 Morigny-Champigny  
FRANCE

**CNH Industrial Italia Spa**  
Lungo Stura Lazio 19  
10156, Torino  
ITALIA

**CASE Construction Equipment**  
Cranes Farm Rd  
Basildon - SS14 3AD  
UNITED KINGDOM

NOTE: Standard and optional fittings can vary according to the demands and specific regulations of each country. The illustrations may include optional rather than standard fittings - consult your Case dealer. Furthermore, CNH Industrial reserves the right to modify machine specifications without incurring any obligation relating to such changes.

Conforms to directive 2006/42/EC

**CASECE.COM**  
**00800-2273-7373**

The call is free from a land line.  
Check in advance with your Mobile Operator if you will be charged. Toll free number not available from all calling areas.

